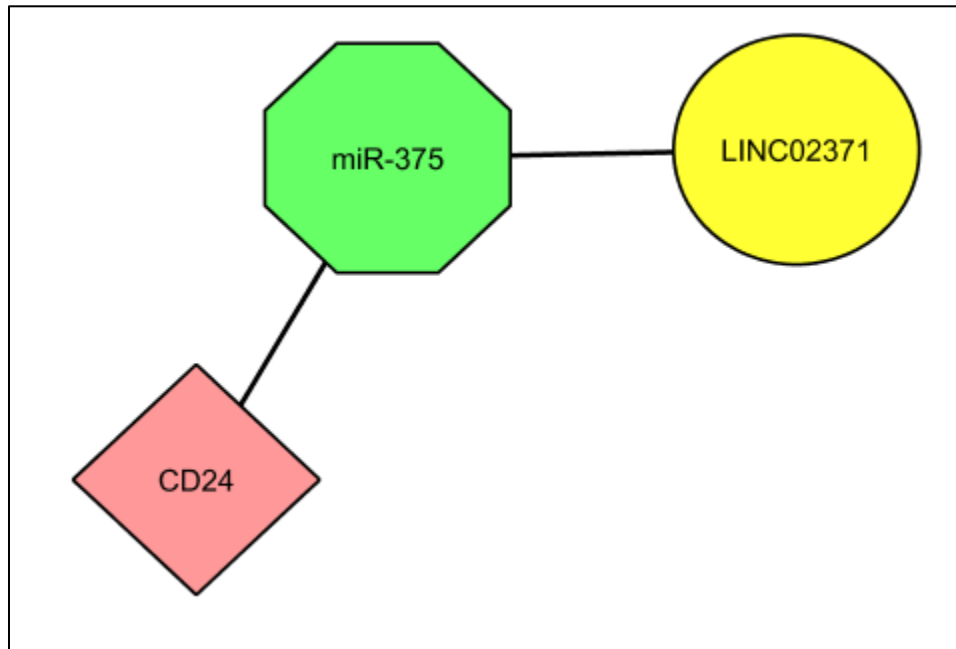
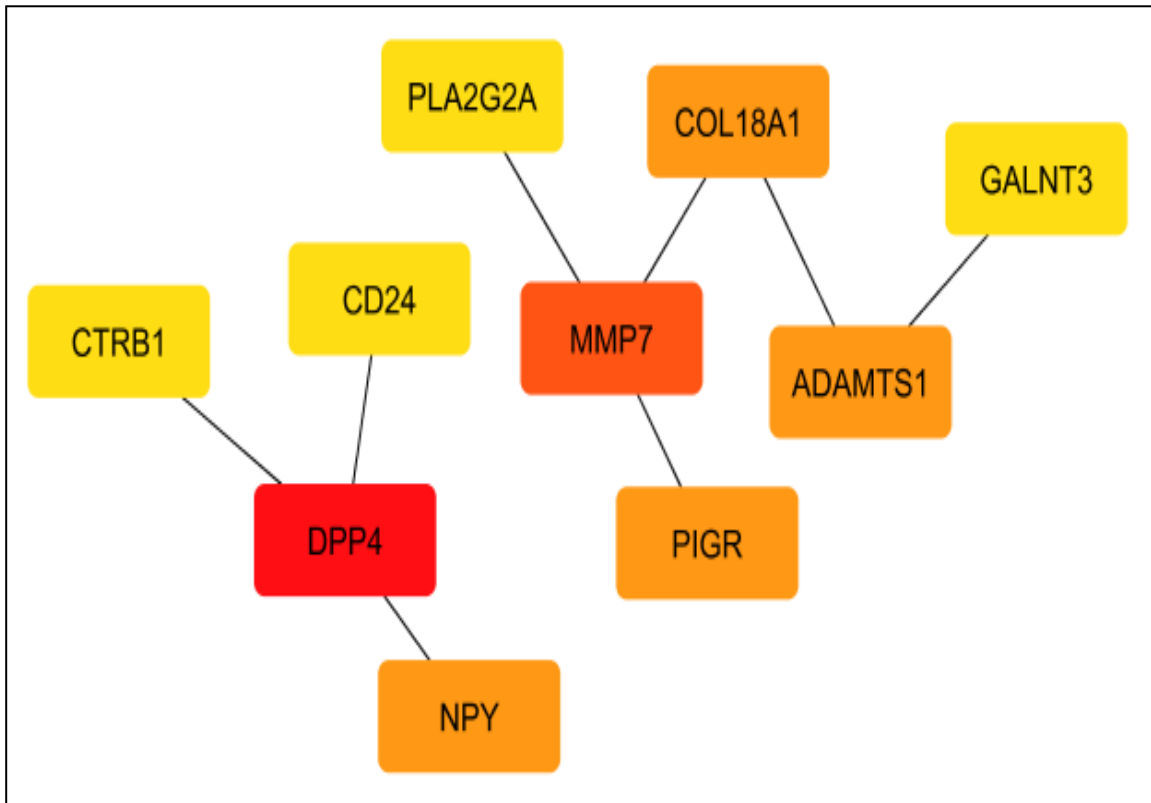
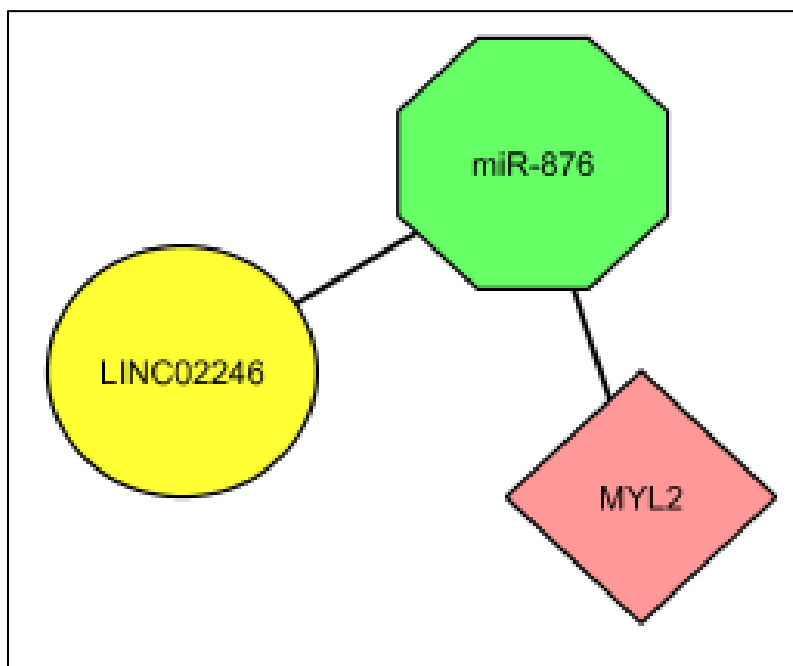
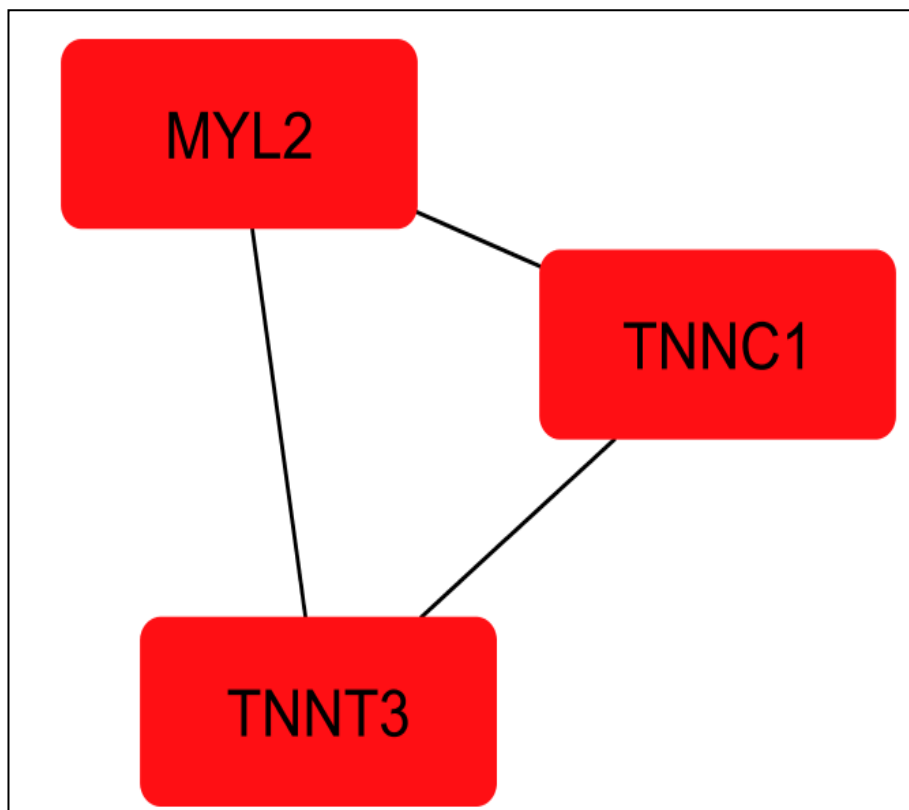


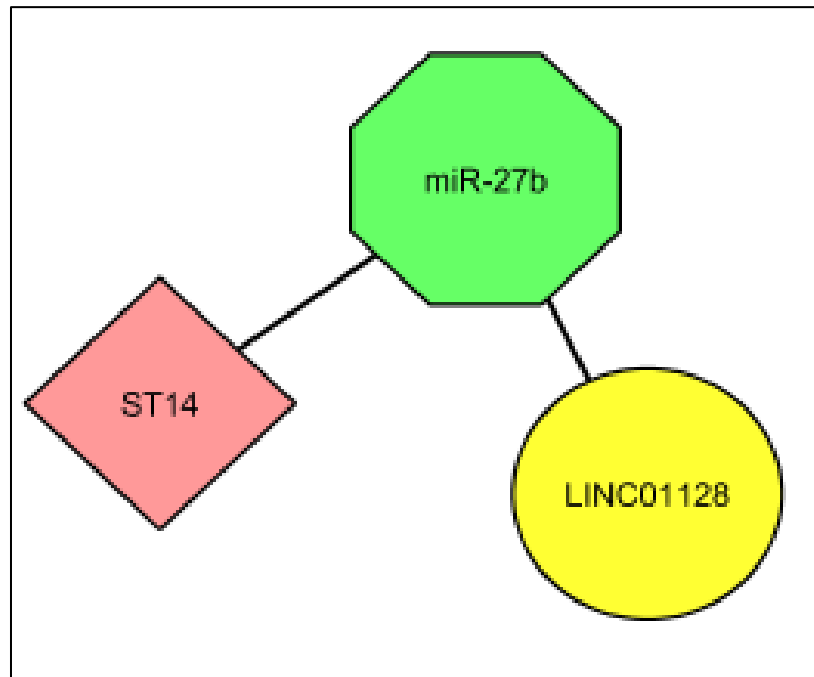
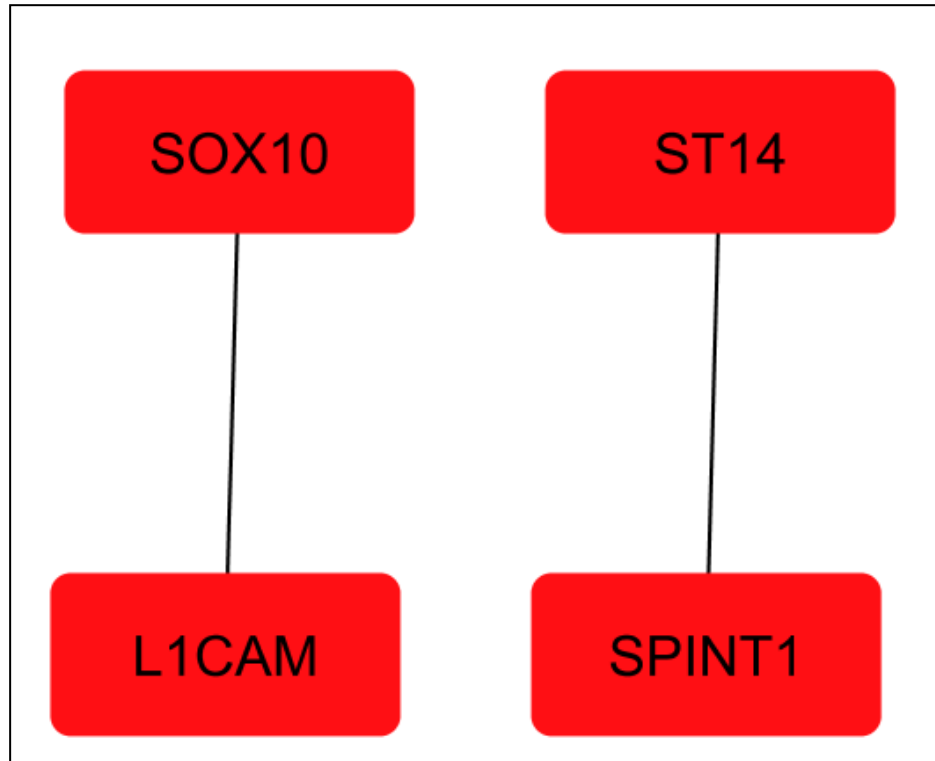
A)



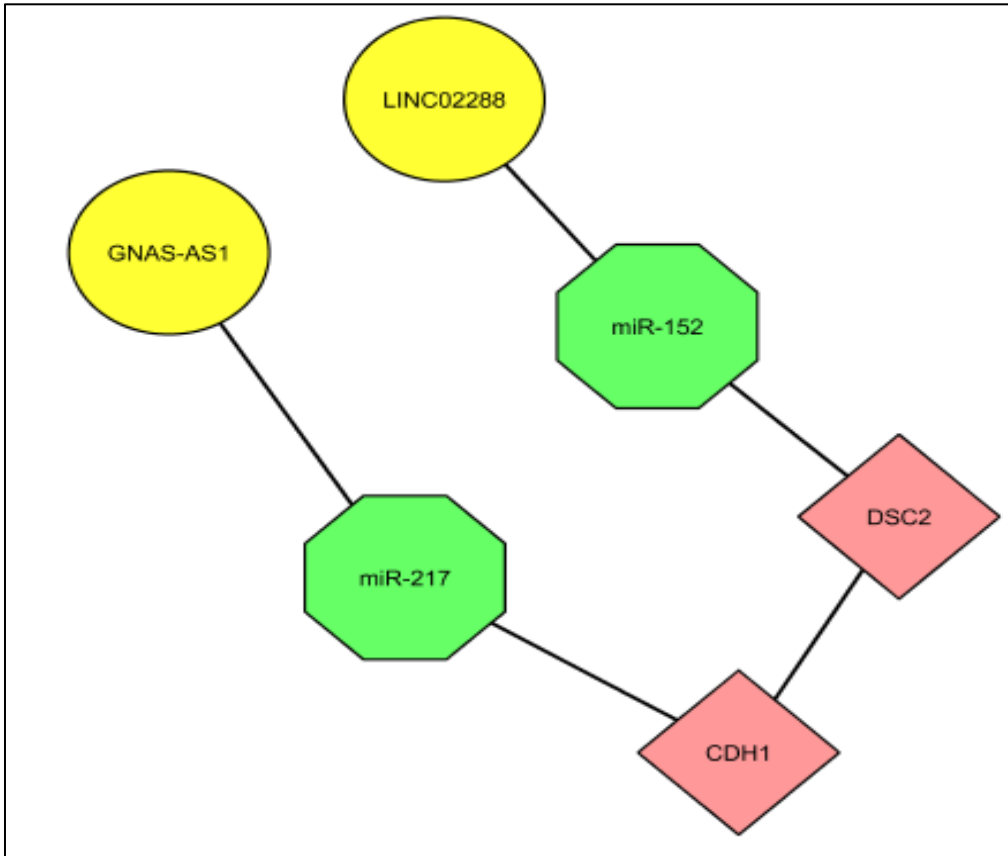
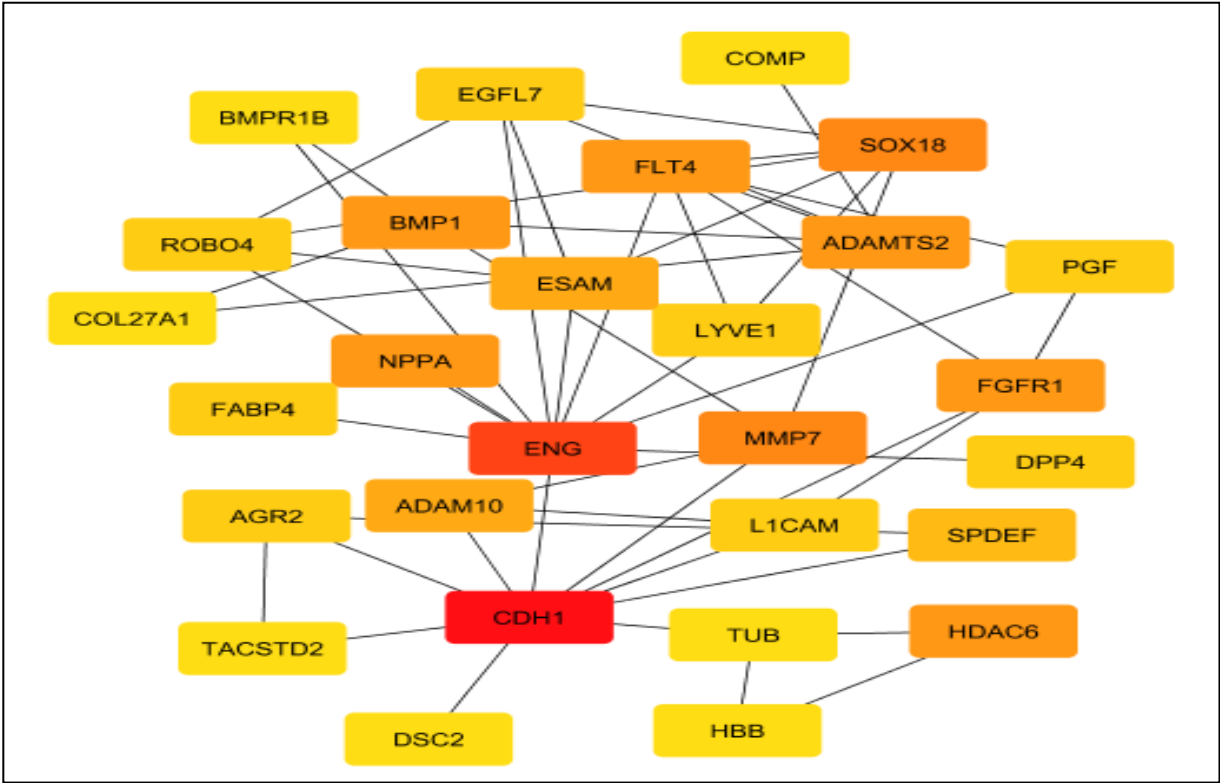
B)



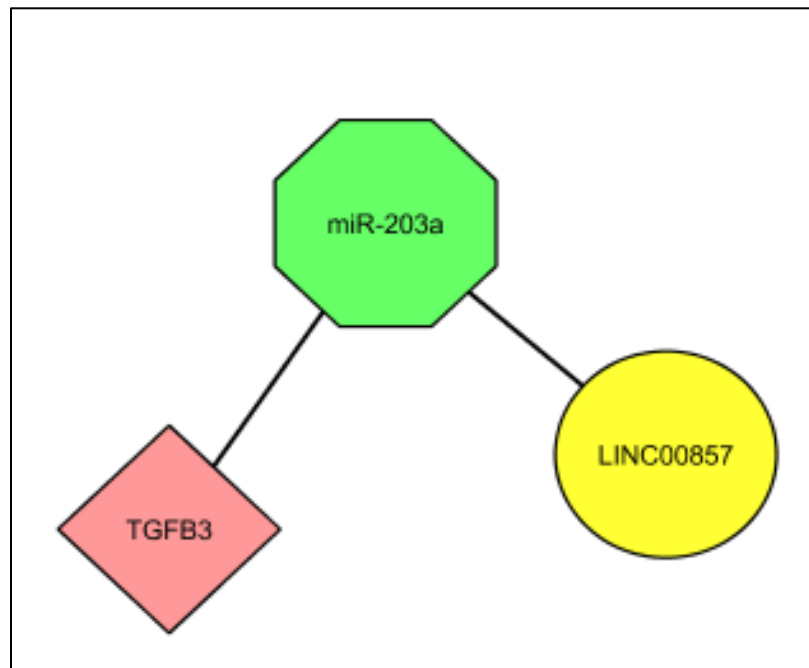
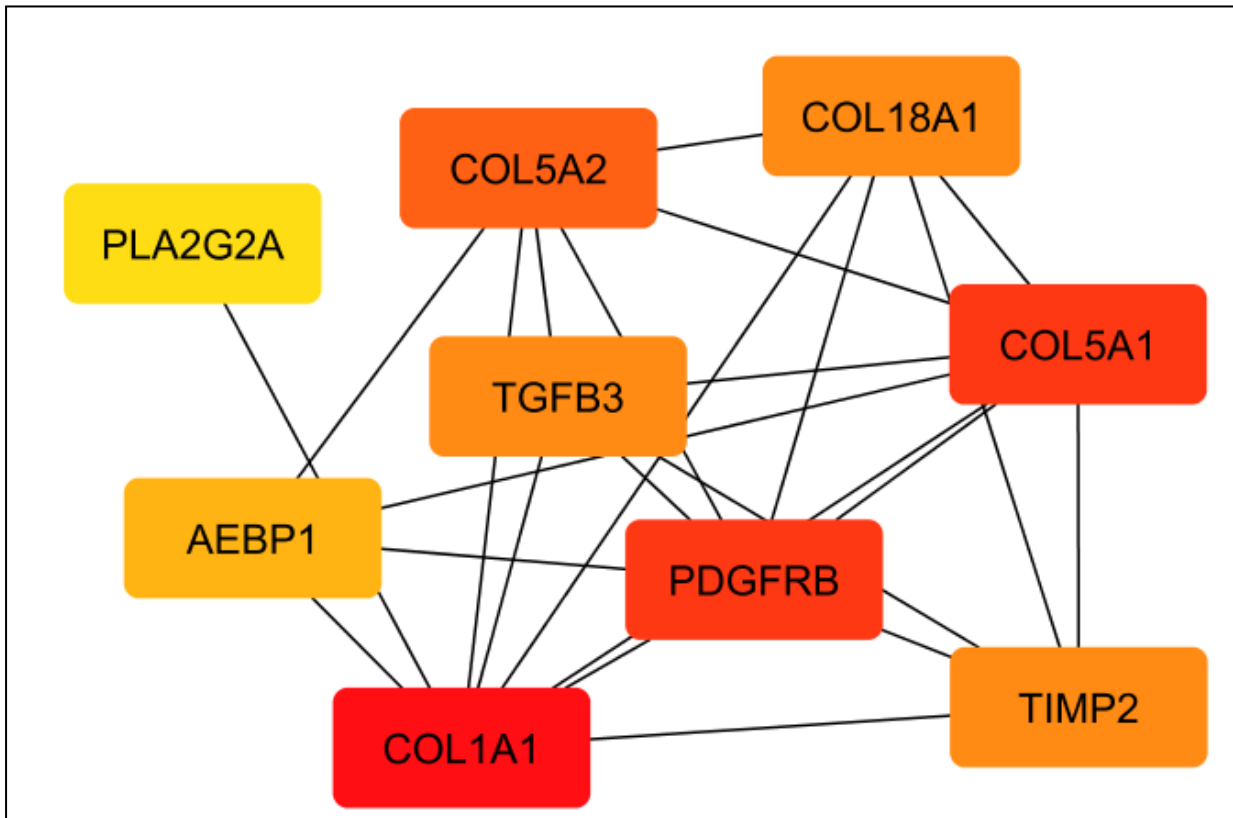
C)



D)



E)



Supplementary S5. Protein-protein interaction (PPI) network construction

A) Hub genes of benign prostatic hyperplasia group, B) hub genes of local group, C) hub genes of locally advanced group, D) hub genes of metastatic group, E) hub genes of biochemical relapse group

The PPI network was constructed with hub genes from GEO and TCGA datasets that show the interaction between hub genes by STRING and Cytoscape softwares.